

Future Architecture and climate change

Matevž Čelik

ACE/CAE General Assembly
29 October 2021

Future Architecture



Co-funded by the
Creative Europe Programme
of the European Union



The Future Architecture Platform

4.060

emerging talents registered
at the Call for Ideas

2.260

ideas and projects
submitted

480

emerging talents in the
European Architecture
Program

290

events of the European
Architecture Program



HOUSE OF ARCHITECTURE
MADRID



Trienal de Arquitectura de Lisboa

MA **XXI**

Museo nazionale
delle arti
del XXI secolo

HDA

HAUS DER ARCHITEKTUR



TIRANA
ARCHITECTURE
WEEK

**DAI
IVS**

THEATRUM
MUNDI



CALOUSTE
GULBENKIAN
FOUNDATION



SCHWEIZERISCHES ARCHITECTUR-
MUSEUM
S AM



**FOR
CAST**

COPENHAGEN
ARCHITECTURE
FESTIVAL CAFx

**KOSOVO
ARCHITECTURE
FESTIVAL**



fundació
mies van der rohe
barcelona



Muzeum Architektury
w Warszawie
Museum of Architecture
in Warsaw



dpr-barcelona

GINA

ГЕНЕРАТИВНО АРХИТЕКТУРНО ДИЗАЙН
ИНИЦИЈАТИВНО ДИЗАЈН



RA Royal
Academy
of Arts

vi per

AAA ARCHITEKTŪROS
FONDAS

Architectuul.

d
TBILISI
ARCHITECTURE
BIENNIAL

Beta

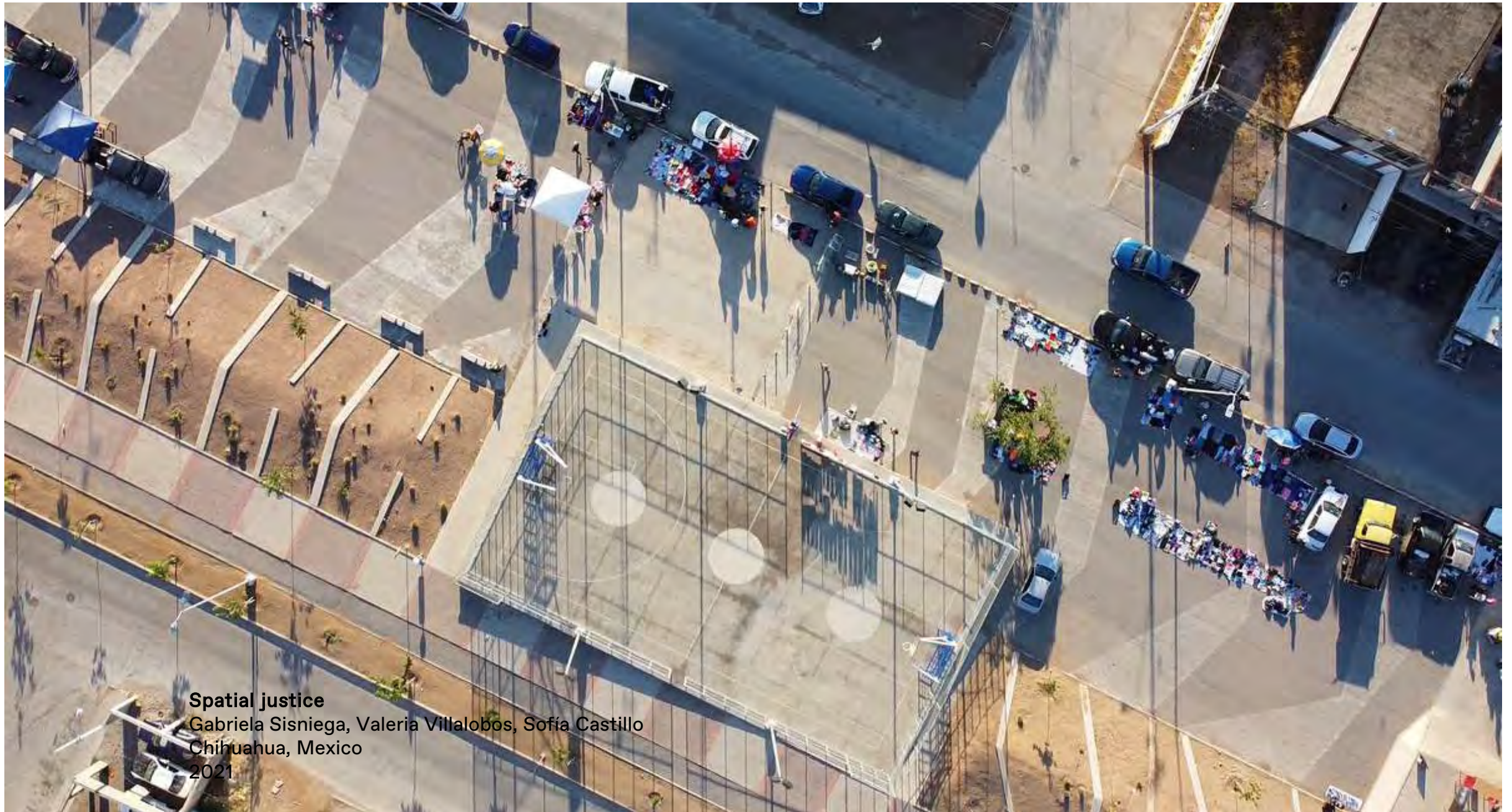


Göteborgs Stadstriennial
2015 2016 2021

An aerial photograph of a slum built on a steep, rocky hillside. The dwellings are makeshift shacks made of corrugated metal, wood, and other scavenged materials. A river flows through the lower part of the image. The terrain is arid and rocky, with sparse vegetation. The overall scene depicts a challenging living environment.

Challenges facing humanity

- Human rights
- Environment and climate breakdown
- New Economic paradigms

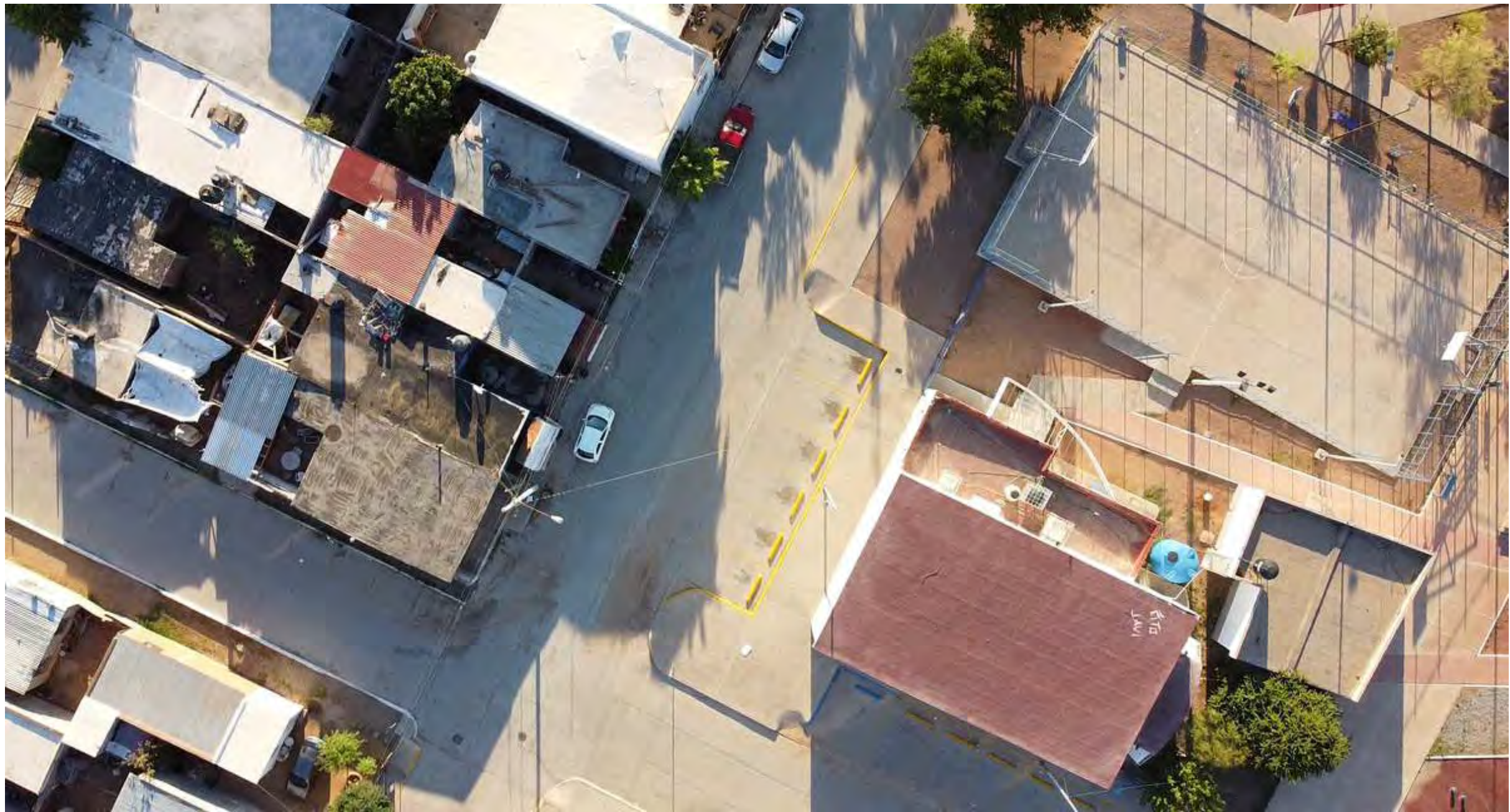


Spatial justice

Gabriela Sisniega, Valeria Villalobos, Sofía Castillo

Chihuahua, Mexico

2021





Configuration of information



Start Park
Start Park
Prato, Italy
2020



Water



Rainwater
recovery



Urban sustainable
drainage system



Water
games



Phytoremediation



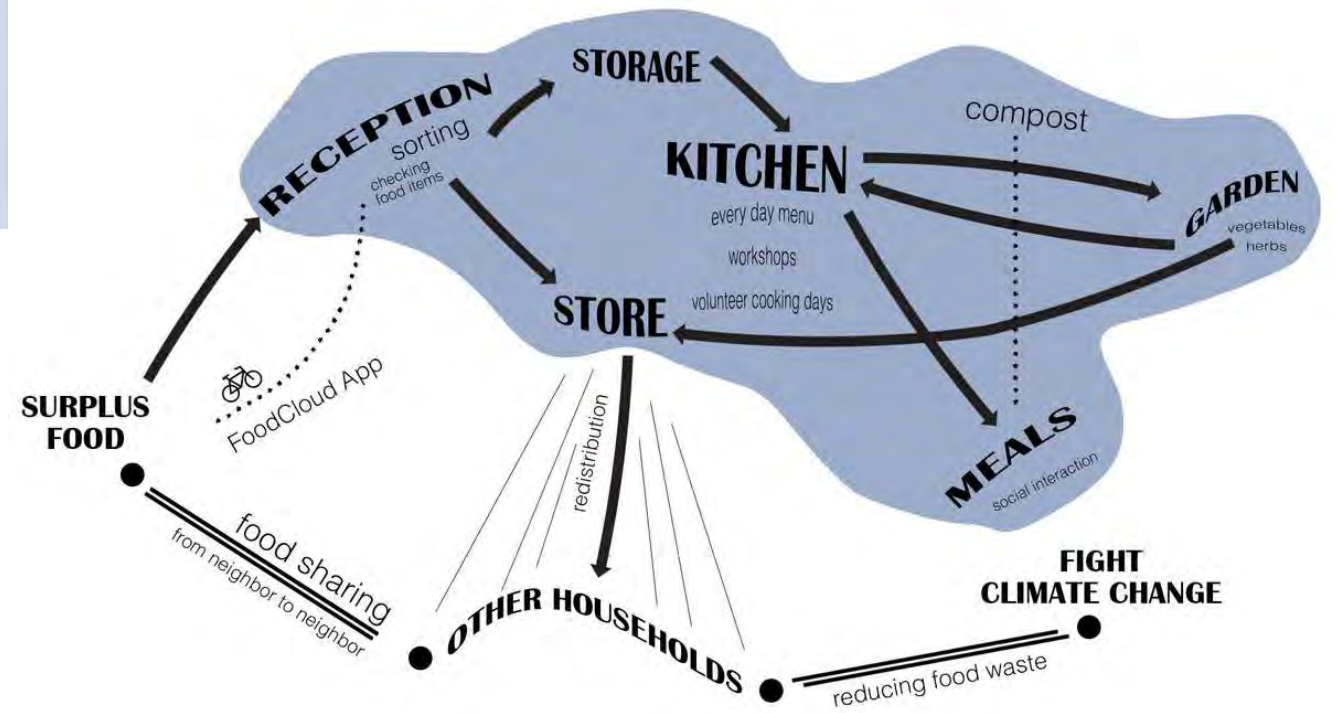
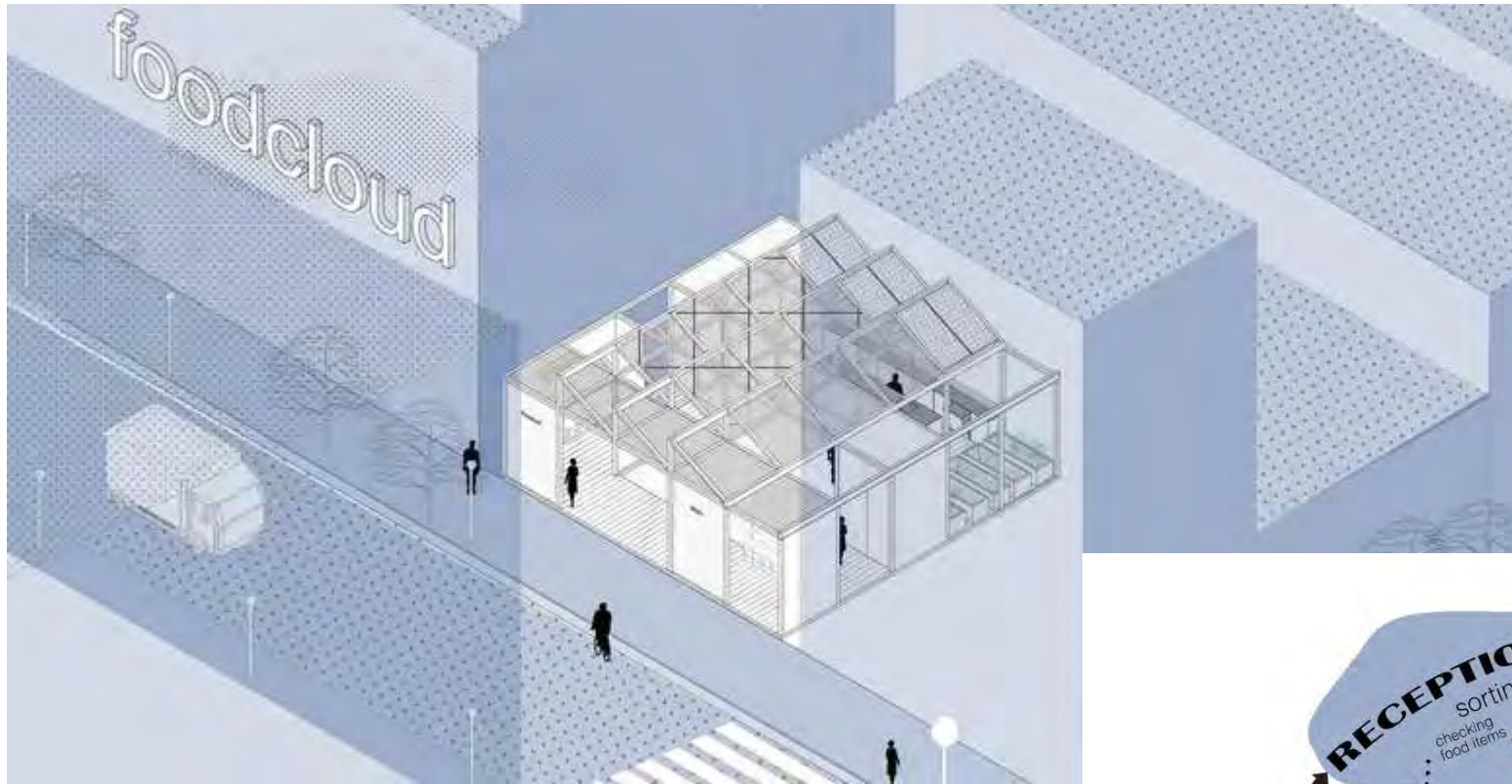
Didactics on climate
emergence



Natural pond

NUDes
Natural and Urban Devices
Jose M Mateo Torres
Cartagena, Spain





Foodcloud
 A food sharing hub to reduce food waste
 Chaido Kaproulia, Eva Lavranou
 Athens, Greece
 2021



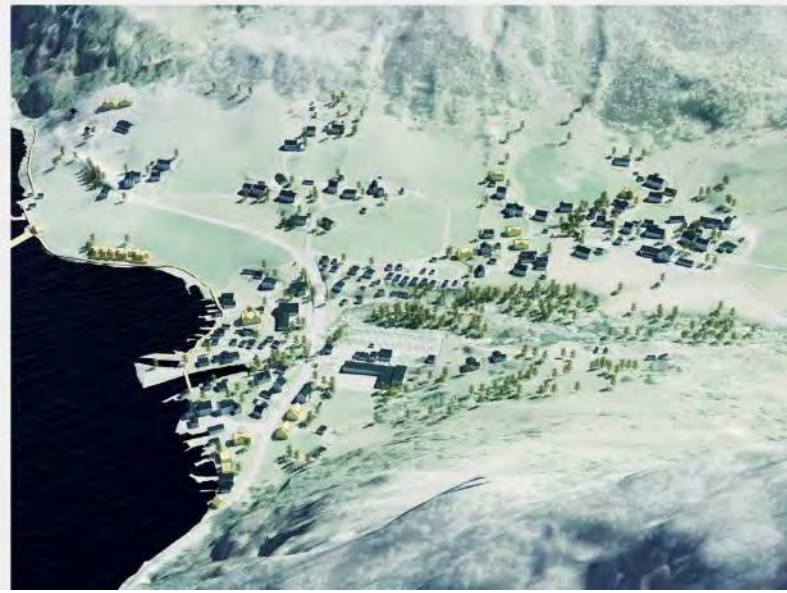
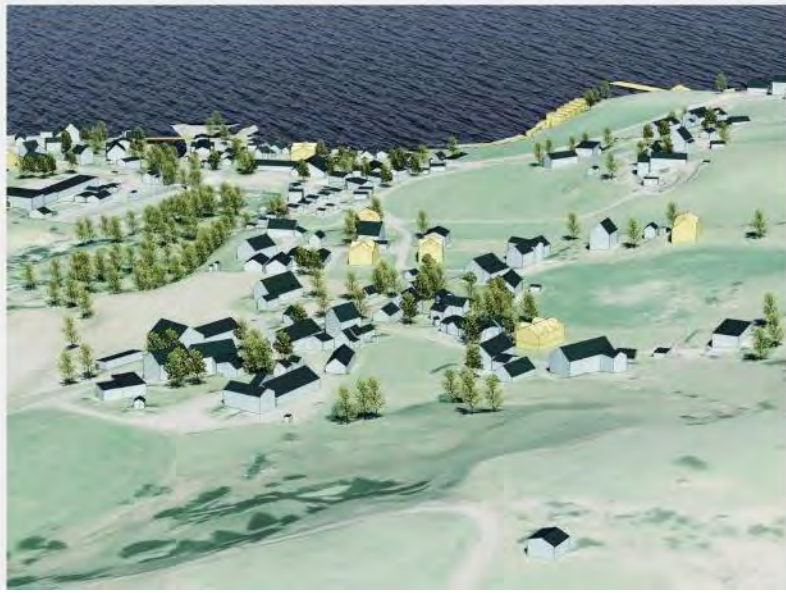
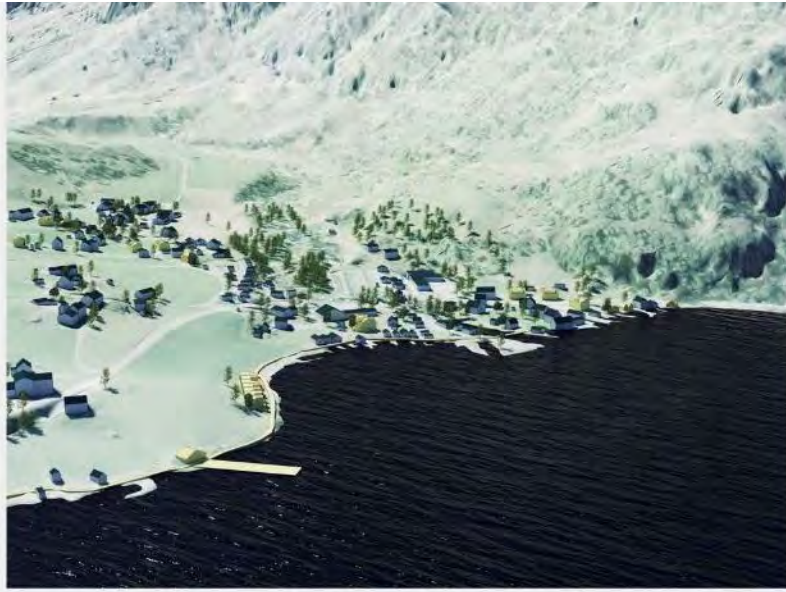


Changing architectural practice

- Thinking beyond buildings
- Professional tools
- Changing education

"Nedvekst" - revisiting rural development without growth
Spatial strategies to handle decades of population decline in rural Western Norway
3RW arkitekter
2020





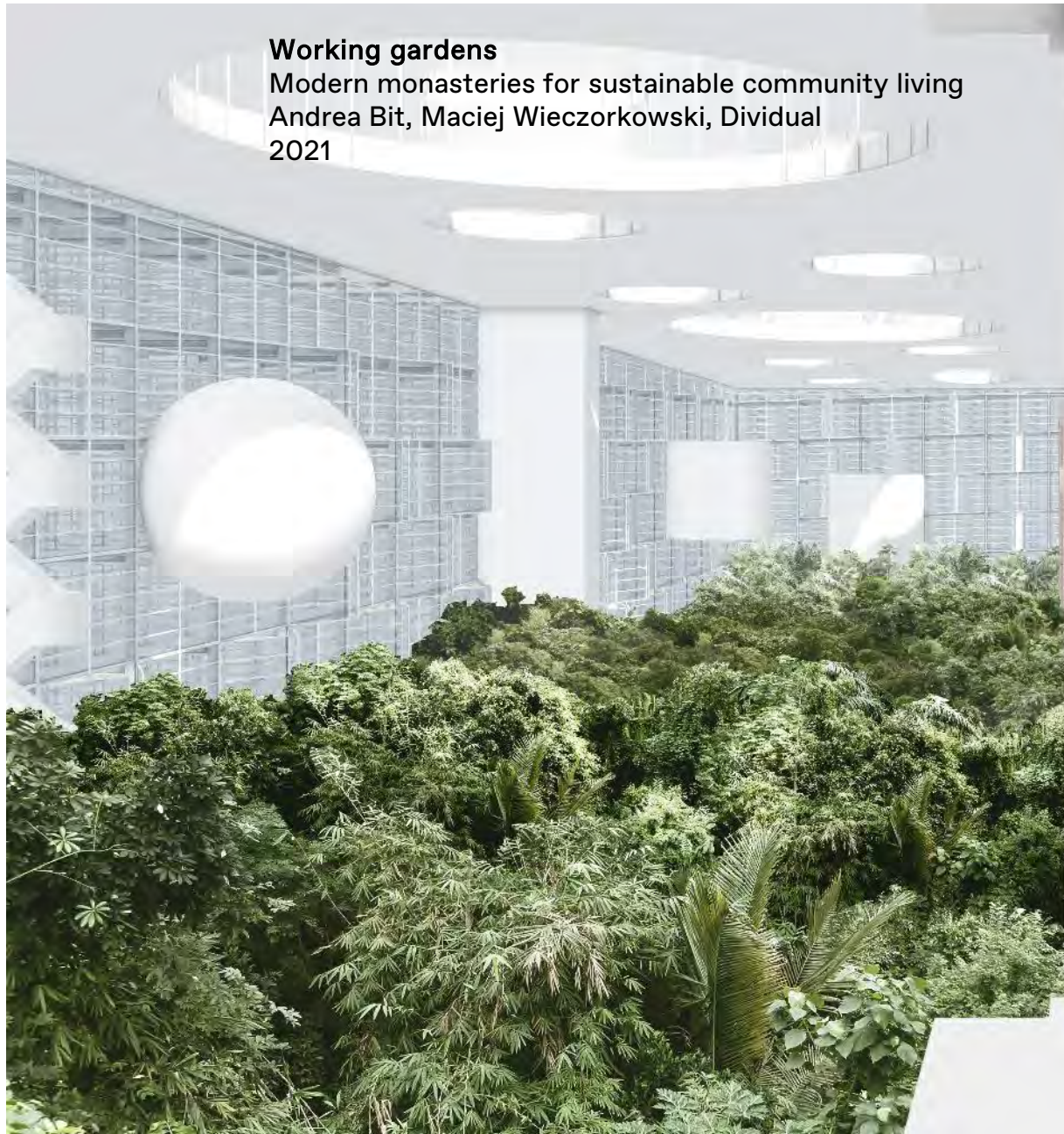


Urban Forestry Practices
Constructing More-than-Human Commons
Diego Martín Sánchez, Noemí Gómez Lobo, furiistudio
Tokyo, Japan
2021

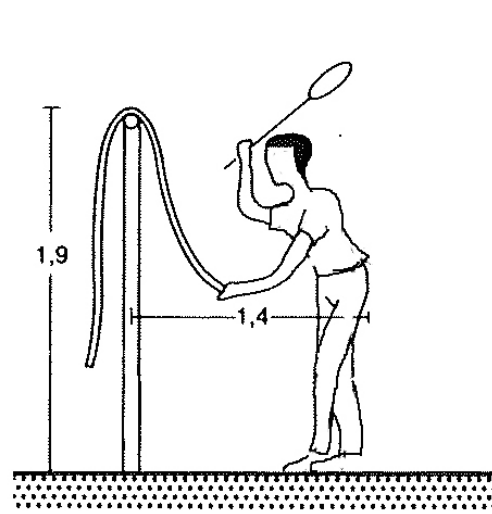




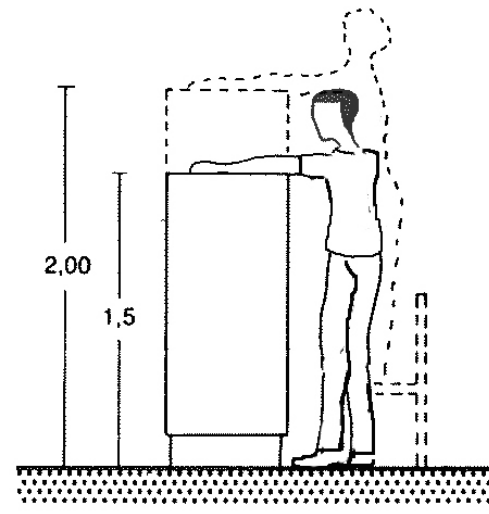
Working gardens
Modern monasteries for sustainable community living
Andrea Bit, Maciej Wieczorkowski, Dividual
2021



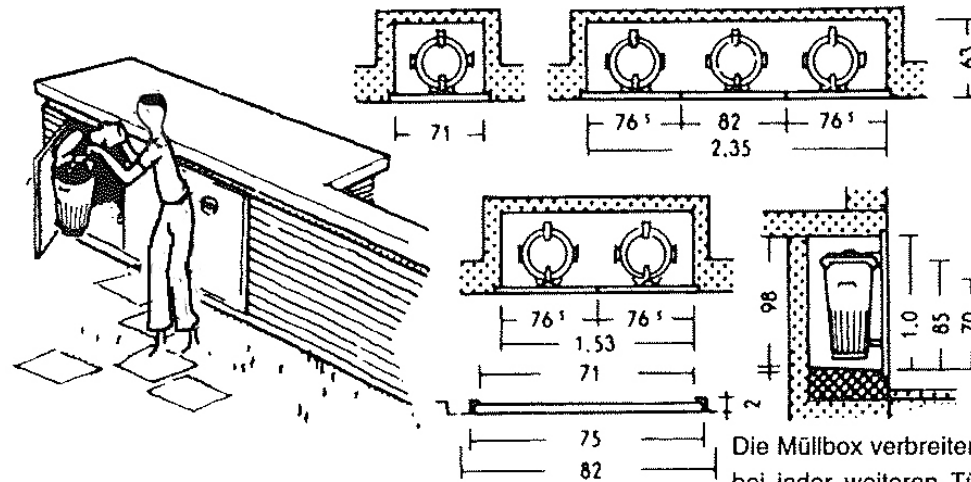
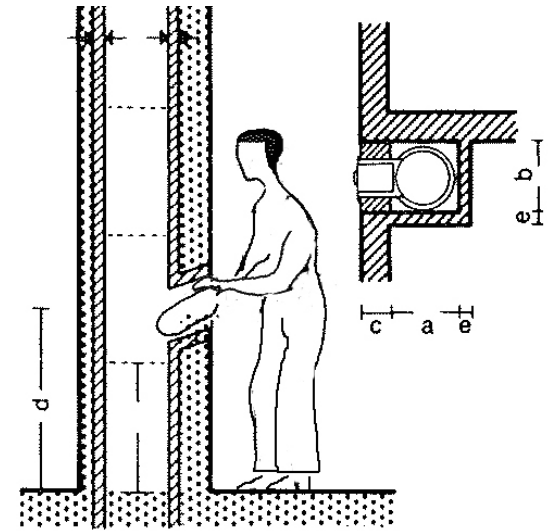




⑦ Teppichklopfstange

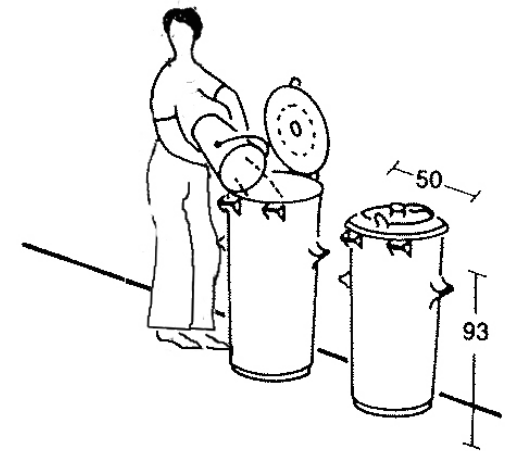


⑧ Zweckmäßige Schrankhöhe

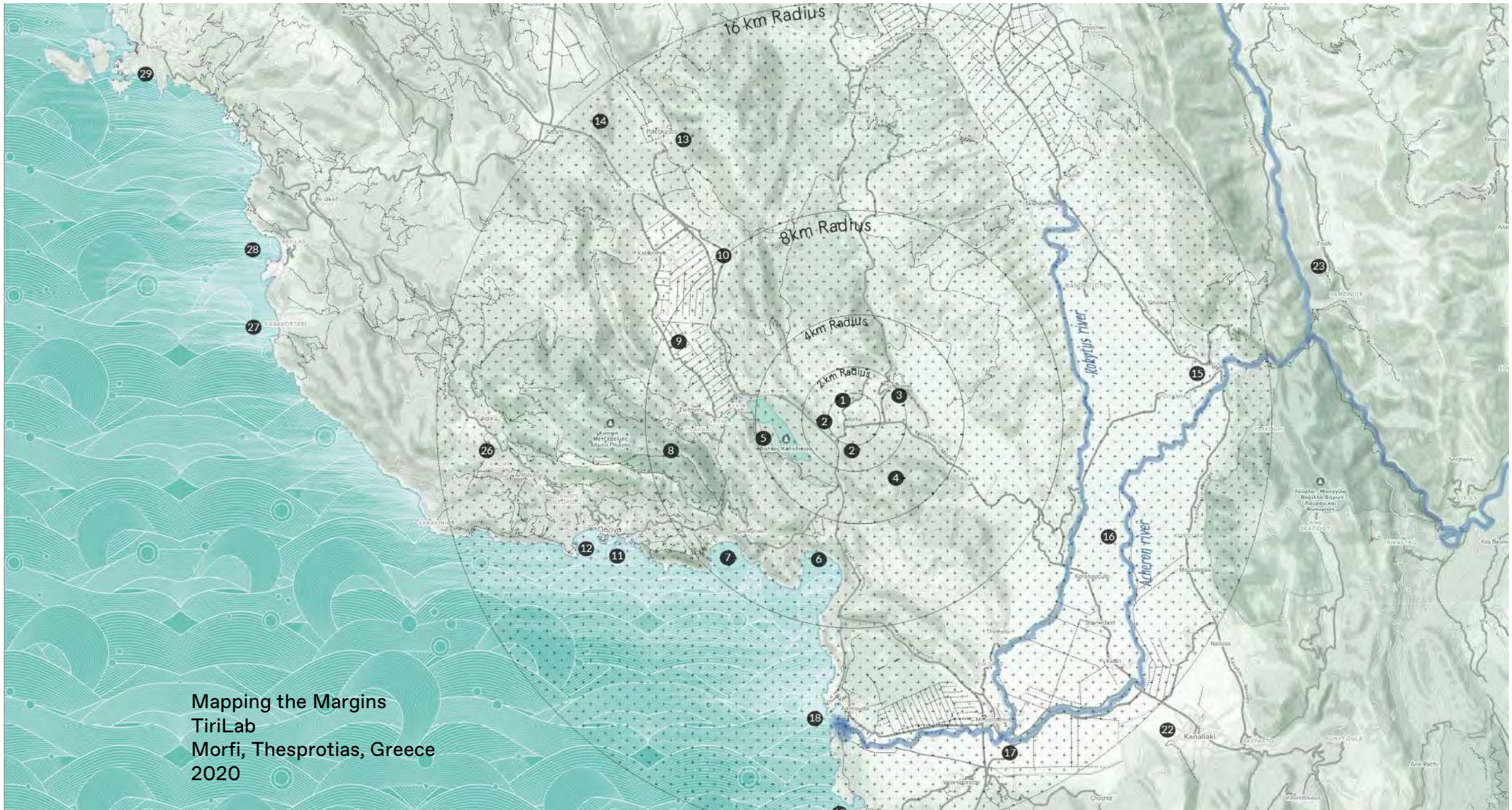


⑨ Platzbedarf für Müllbox-Einbautonnen

Die Müllbox verbreitert sich bei jeder weiteren Tür um 820 mm



⑭ Mülltonnen



Mapping the Margins
TiriLab
Morfi, Thesprotias, Greece
2020



Mapping the Margins
TiriLab
Morfi, Thesprotias, Greece
2020



Mapping the Margins
TiriLab
Morfi, Thesprotias, Greece
2020





Communicating architecture

- Communicating with wide audience
- Criticism, research and curatorial tools
- Future generation

Thank you!

Matevž Čelik
@matevzcelik
hello@matevzcelik.com